

Single Set Point Control **SPC**

- With
- Single Pole Double Throw Output
 - Measures Temp, High temp, Multiple Pressure ranges, Vacuum, and Humidity
 - Easy to read and configure menus

Elite Series

DiGi-SPAN[®]



Description:

Set Point Control with Adjustable Differential. The SPC *Elite* is the perfect control whenever On/Off or two position control is required. The SPC *Elite* constantly displays the sensor's value as well as the Set Point to be reached. When the sensor reading falls outside of an adjustable differential, the output relay (S.P.D.T) will energize activating or deactivating the pump, boiler, compressor, valve, or other corresponding equipment until the set point is restored.

- **Temperature, Pressure, Vacuum, Humidity.** The same SPC *Elite* control can be connected to an array of temperature, pressure, vacuum and humidity sensors. It can even be connected to high temperature sensor up to 900°F (500°C). This makes stocking SPC *Elite* easier than ever. Each SPC is field selectable for a broad range of parameters. Just select or stock the sensors you need with your control.

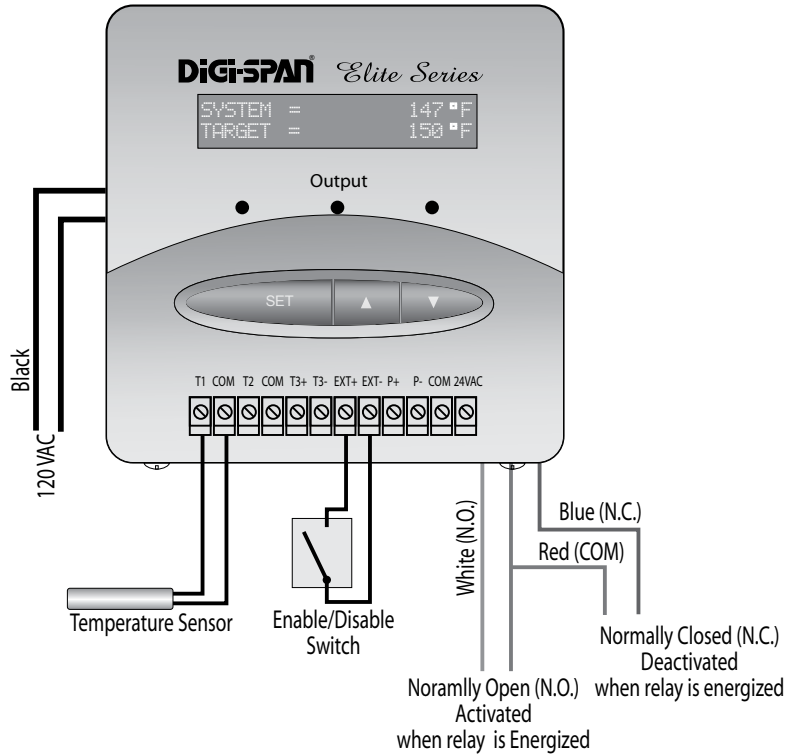
- **Heating or Cooling.** The SPC *Elite* is capable of operating in cooling or heating application. The operator simply selects the option suited for the application.
- **Enable/Disable.** No Need to turn the control power off. The Enable/Disable terminals allows the use of external devices or switches to activate/de-activate the SPC *Elite* operation.
- **Simplified Menus on an Easy-to-Read 2-Line Digital Display.** Now, with two 16 Alphanumeric line display and easy-to-ready menus makes setting and understanding control operation a snap.
- **Sensor Fault Output Status Selection.** A feature that allows the user to select the output status when the sensor is faulty or disconnected.
- **Can be Powered by 120VAC or 24VAC.** The SPC *Elite* is normally powered by 120VAC. However, it has an alternative 24VAC power inputs. No transformers are required.
- **English or Metric.** The same SPC can be configured to follow either standard. Each with an array of sensor options for versatility.
- **Mounts on a 1900 Box or an Extension Skirt.** The flexibility of mounting the control and the use of the supplied skirt, makes this control fit any application need and most tight spaces.
- **Sensor Fault Output Option.** The SPC *Elite* offers the option of switching the On or Off when a fault condition occurs.

ISO 9001:2000
CERTIFIED



Typical Applications:

- Boiler Control
- Chiller Control
- Zone Control
- Radiant Control
- Temperature Alarms
- Two Position Valve Actuator
- Two Position Damper Actuator
- Pump Start/Stop
- Zone Control



Item Description	Part #	Item Description	Part #
SPC Elite (Sensor ordered Separately)	929150-UA	Pressure Sensor (0 - 30PSI)	904310-00
Brass Tube Temperature Sensor	904250-00	Pressure Sensor (0 - 100PSI)	904312-00
3-In-1 Temperature Sensor	904220-00	Pressure Sensor (0 - 200PSI)	904311-00
Hi Temperature (900°F)	904019-00	Pressure Sensor (0 - 300PSI)	904313-00
Humidity Sensor	904035-00	Vacuum Sensor (0 - 30 Hg)	904317-00

SPC Elite Specifications:

Voltage Input:	120 VAC 60 Hz/24VAC 60 Hz (Only One Power Source)
Power Consumption:	3 VA Max
Operating Temperature:	20°F/-7°C to 120°F/49°C
Operating Humidity:	20% to 80%
Dimensions:	4"W x 4"H x 2½"
Weight:	2.5 pounds
Output:	1 S.P.D.T (White+Red = N.O.), (Blue+Red = N.C.)
Output Relay Ratings:	1 Amp inductive, 6Amp resistive at 120 VAC 60 Hz
Operating Modes:	Heat (Break on Rise) or Cool (Make on Rise)
Sensor Fault Operating Options:	Output On or Output Off
Temperature Ranges:	from -30°F (-34°C) to 250°F (121°C) or from 150°F (65°C) to 900°F (480°C)
Pressure Ranges:	PSI (0-30PSI, 0-100 PSI, 0-200PSI, 0-300PSI) or MPa (0.25MPa, 0.60MPa, 1MPa, 1.6MPa)
Vacuum Ranges:	30Hg or 760mm
Humidity Ranges:	0% to 100% RH
Display:	Alphanumeric (2 rows x 16 char. each)
LED:	1 representing the Output relay
Buttons:	3 (Set, Up, Down)
Enable/Disable:	Terminals EXT+, EXT-