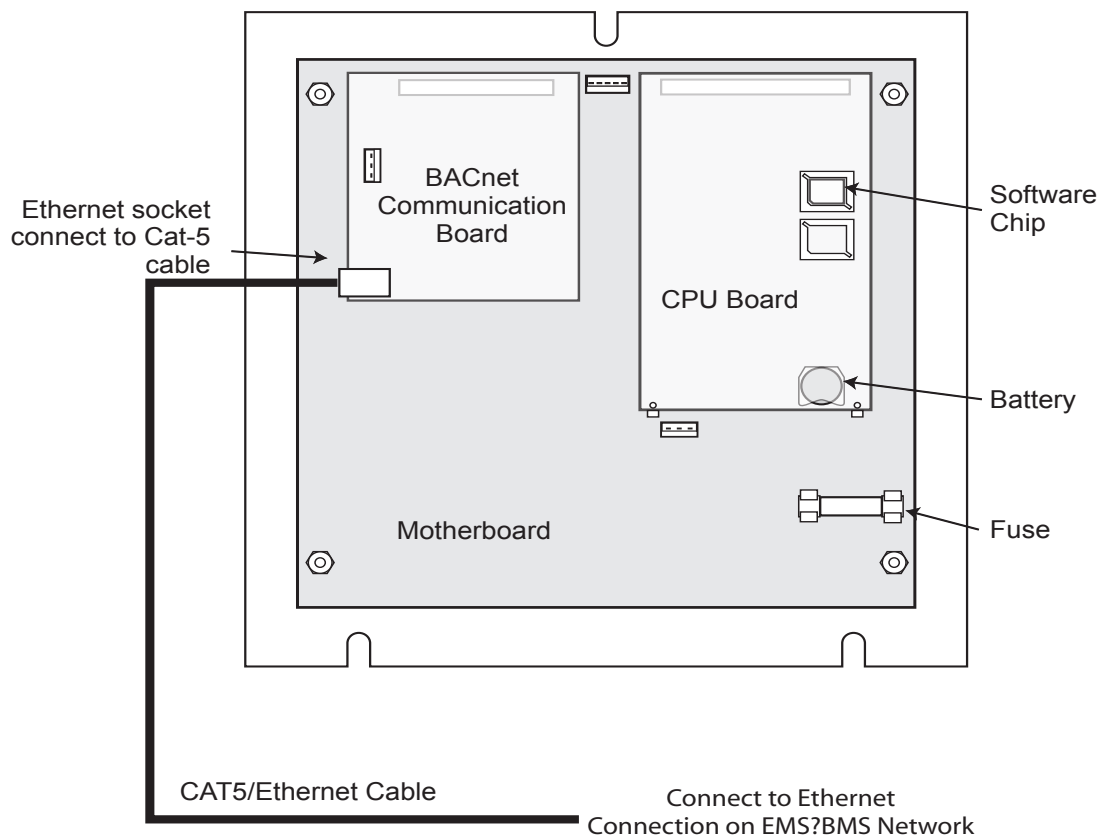


# HEAT-TIMER®

## WIRING AND CONFIGURATION INSTRUCTIONS

# PLATINUM BACNET

## PLATINUM PANEL CONNECTED TO BACnet EMS/BMS SYSTEM



## Platinum BACnet Wiring

- The Platinum control comes either as a Standard without any communication or with BACnet IP communication.
- Any Platinum control with BACnet IP communication package has a Communication Board installed on the back of the control's main board.
- The Ethernet cable must use the Platinum control's enclosure bottom right side knockout.
- Connect the CAT5 Ethernet cable coming from the EMS/BMS network to the BACnet RJ45 Communication Socket on the back of the control's Communication Board.
- If the system requires the use of Extension controls, connect and power the Extensions, then setup the Platinum control startup functions prior to configuring the BACnet parameters.
- All Platinum controls' Startup functions cannot be set through the BACnet system. Make sure that all Startup functions are set properly before configuring the BACnet parameters. However, they are available as Read Only values. The rest of the Platinum control settings can be configured through the BACnet network system.
- Set the Platinum control BACnet Network Settings as described on the next page.

# BACnet Communication Configuration

- All Heat-Timer Platinum controls can communicate over a BACnet IP network either directly or through a gateway with the BACnet IP driver. However, when purchased, the control must come with the BACnet IP communication or can be upgraded.
- Using a gateway is beneficial when communicating to an EMS/BMS system with a different proprietary protocol. The gateway used must have both drivers, the BACnet IP and the proprietary protocol. Some times it might be necessary to configure the gateway for the specific Platinum control variables. (See the specified Platinum control BACnet IP variable list.)
- If the Platinum was purchased with a BACnet communication package, some of the following settings must be configured to guarantee proper communication.

```
--NETWORK SETTINGS--
BACnet ID: 0
#IP: ---.---.---.---
Msk: ---.---.---.---
Gw: ---.---.---.---
```

## BACnet Communication Option

**SELECT:** MENU/<Maintenance>/Network Settings

**SELECT:** MENU/<Settings>/<More Settings>/<Remote Interface>/Network Settings

- After connecting the Platinum to the BACnet network, the user must set the following parameters according the BACnet Network Administrator's instructions.

**Multi-MOD Platinum  
All Other Platimums**

## BACnet Device ID

- This is a unique ID within the BACnet network. It must be provided by the BACnet Network Administrator and entered into the BACnet ID field.

## IP Address

- The IP address must be unique within the single network the Platinum resides on.
- The IP address must be provided by the Network Administrator.
- Enter the IP address in the IP field. After dialing each octet, press the ADJUST/SELECT button to accept.

## Mask Address

- The Subnet Mask, in combination with the IP address, is used to identify the Platinum in a TCP/IP network environment.
- The Subnet Mask must be provided by the Network Administrator.
- Enter the Subnet Mask in the Msk field. After dialing each octet, press the ADJUST/SELECT button to accept.

## Gateway Address

- The Gateway is used to provide a mean for the Platinum to communicate outside the local network environment.
- The Gateway must be provided by the Network Administrator.
- Enter the Gateway in the Gw field. After dialing each octet, press the ADJUST/SELECT button to accept.

### **▲ ALERT**

A BACnet capable Platinum controls will display -- NETWORK PANEL -- on the 2nd row of the display when they are in screen saver mode.